

Pole Series 1 and the Extension Unit

FANOTEC
Nodal Ninja

Quick Reference Guide

© 2012 Nodal Ninja

For added support, visit: www.nodalninja.com/forum

For videos, visit: www.youtube.com/nodalninja



Warning



Carbon fiber poles conduct electricity very well. Take extreme caution when using these poles around electrical wires. Never use them during electrical/lightning storms. Also be careful when using in windy situations. Do NOT mount a Fanotec pole onto a rigid tripod. This may cause damage to pole base and the tripod center column. Use the Fanotec tripod adapter when using a tripod.


Recommended loading is 2kg (4.4lbs) for all poles at full vertical extension. Use shorter extension or guy wire to stabilize the pole for larger loading.

Safety wire MUST be used for horizontal pole application and for tensile loading.

The manufacturer and authorized dealers assume no liability for use of this equipment, users equipment, or personal injuries that may occur.

Package Content of Pole Series 1

Spare Parts	Qty
	1
	2
	1
	2
	2



Protective Cap Installed → Protective Cap Removed → O-rings Installed → O-rings Installed

Mount a Device



Any device using 3/8" thread can be mounted to the pole. To gain optimal stability, mount the device to the smaller end of pole. Remove any unneeded parts or accessories. More weight leads to less stability. Use a hex key to install or remove the 3/8" stud depending on the requirement of your device.

Use Fanotec dedicated accessories to ensure secure mounting of device.

Using the Pole on Ground



Keep the protective cap installed when using the pole without other accessory attached at the base. It protects the base cap from dirt, scratches and dents. Its conical shape also helps rotating the pole about its center smoothly. Use your feet to brace the pole to keep it steady.

Use a Fanotec tripod adapter to keep the pole steady and self-standing.

When taking pole panoramas, use a Fanotec rotator with a foot plate or tripod adapter to control precise rotation interval.

Extending and Contracting

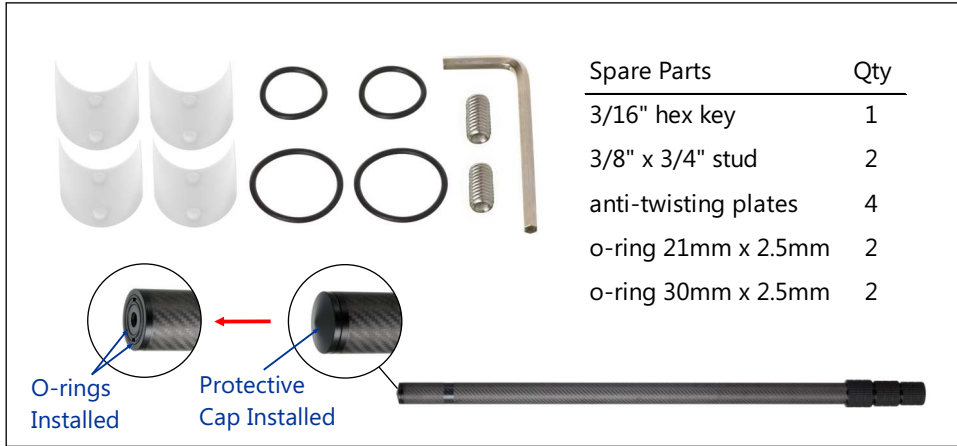


To extend, start with the top section. Turn the knob 90°-120° to unlock. Pull the above section upward. Lock it at the desired extension. Reserve the last 10cm (4") of each section for better stability. The latest poles have glossy paint at that position. Repeat the procedure to extend the other sections. Reverse the procedure to collapse the pole. Unlock the knob slowly so that the pole retracts slowly. Tighten the knob slightly if unit retracts too rapidly. Do not place fingers above the knob. Rapid collapsing of pole may cause damage to the connectors and the mounted device, and may pinch fingers.

Extending the Reach of Pole Series 1

Fanotec poles are modular in design. Pole Series 1 can be attached to an extension unit which is the same as Pole Series 2 Lower Unit.

Package Content of Pole Series 1 Extension Unit



Stacking Pole Series 1 to the Extension Unit



1 Remove base cap from Pole Series 1 to reveal the anti-twisting sockets.



2 Remove top tightening knob from the extension unit. Insert it to Pole Series 1. Install the 2 white anti-twisting plates.



3 With anti-twisting plates in place, twist and push to align and then slide Pole Series 1 into the extension unit.

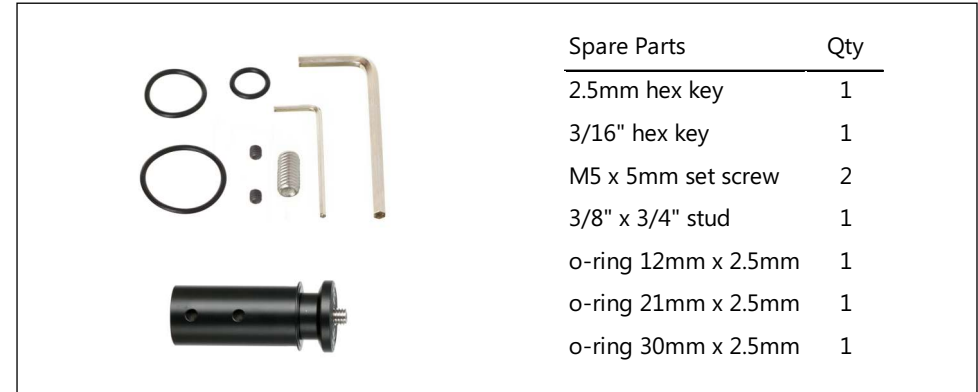


4 Tighten the knob to complete the connection. The maximum height of pole is now 5.5 m (18 ft).

Using the Extension Unit as a Very Stiff Short Pole

The extension unit can be used independently by adding an optional top plate, forming a very stable short pole for heavy loading or horizontal applications. Safety wire should be used for horizontal application. See the Quick Reference Guide for Top Plate for further details.

Package Content of the (Optional) Top Plate



Installing the Top Plate to the Extension Unit



1 Make sure the two M5 set screws are tightened, by using the 2.5mm hex key.



2 Remove top tightening knob from the extension unit. Insert it to the top plate. Install the anti-twisting plates that come from the extension unit.



3 With the anti-twisting plates in place, twist and push to align and then slide the top plate into the extension unit.



4 Tighten the knob fully. Then loosen the knob slightly and push the top plate against the knob. Tighten the knob fully to finish the installation.