



# Quick Installation Guide for Nodal Ninja Ultimate M1

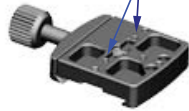
1. Install 2 M3 anti-twisting screws on the QR clamp



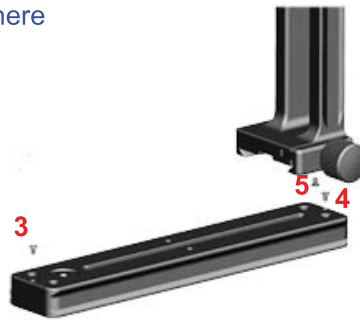
2. Mount the QR clamp to lower rotator using an M6 screw



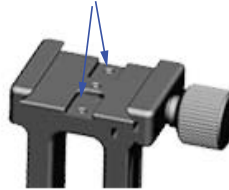
Install M3 screws here



3. Install a black button head screw on the MFR-210 as a safety screw



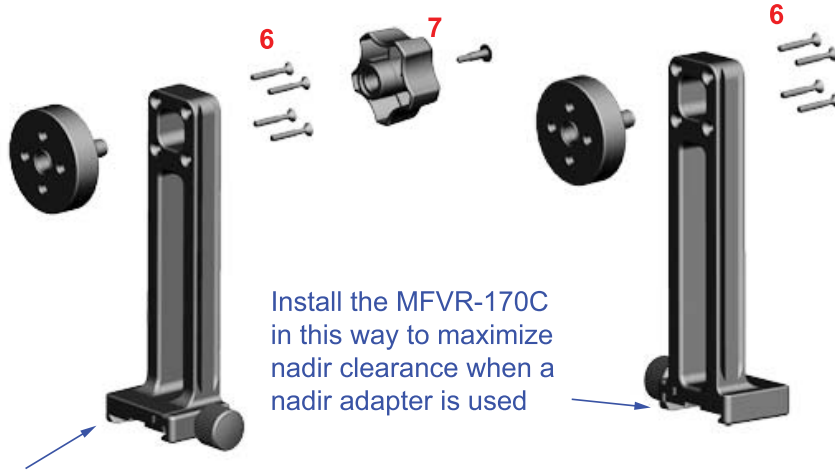
Install here



4. Install a machined button head screw on the MFR-210 as a stop screw

5. Install 2 machined button head screws on the MFVR-170C as stop screws

6. Mount the upper rotator to MFVR-170C using 4 M4 flat head screws



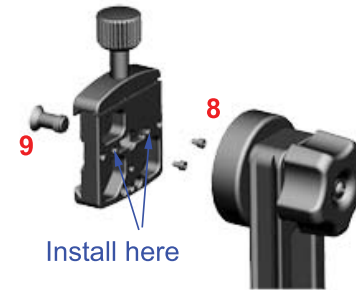
7. Install the upper rotator tightening knob and then install the knob retention screw

Install the MFVR-170C in this way to maximize lower rail adjustment distance e.g. when a tall camera with battery grip is used

Install the MFVR-170C in this way to maximize nadir clearance when a nadir adapter is used

8. Install 2 M3 anti-twisting screws on the QR clamp

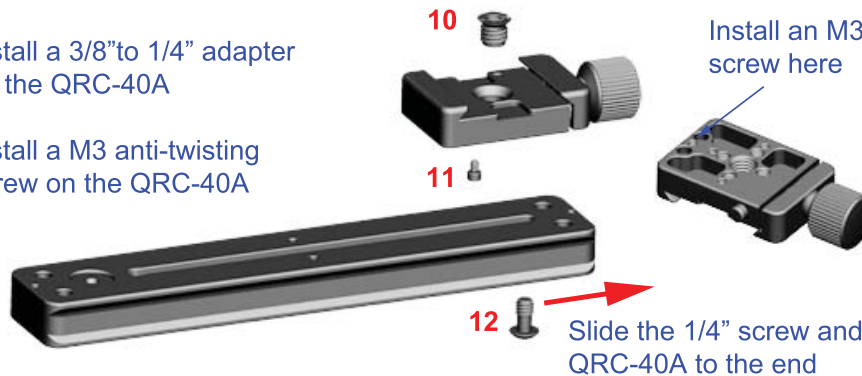
9. Mount the QR clamp to lower rotator using a 3/8" screw



10. Install a 3/8" to 1/4" adapter on the QRC-40A

11. Install a M3 anti-twisting screw on the QRC-40A

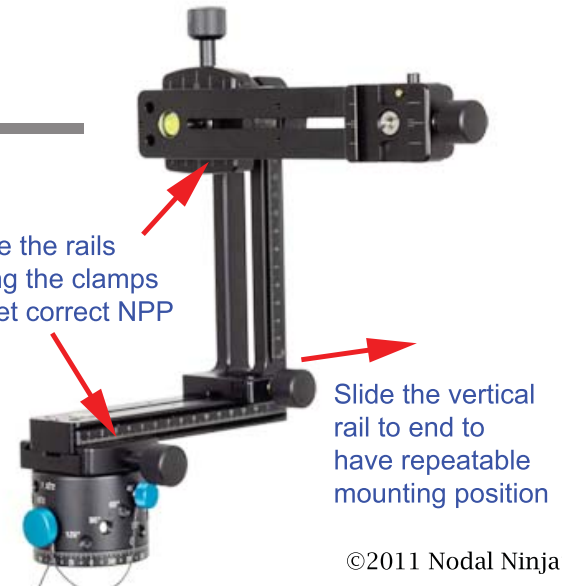
12. Install a 1/4" screw on MFR-170. Mount the QRC-40A to MFR-170 using the 1/4" screw while sliding the 1/4" screw to the far end.



Install an M3 screw here

Slide the rails along the clamps to set correct NPP

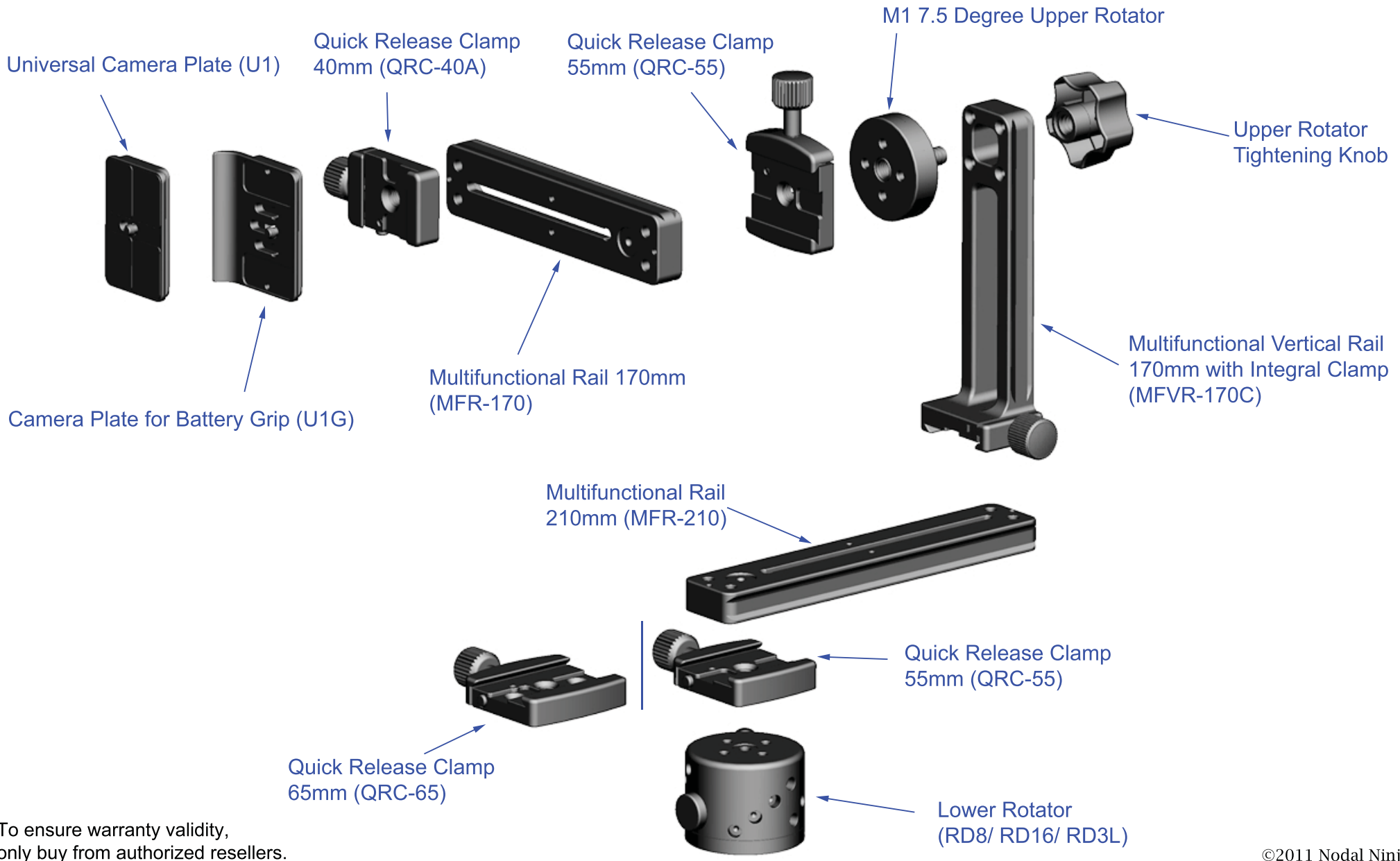
Slide the vertical rail to end to have repeatable mounting position





# Components of Nodal Ninja Ultimate M1

For questions and support, please visit [nodalninja.com/forum](http://nodalninja.com/forum).



To ensure warranty validity, only buy from authorized resellers.